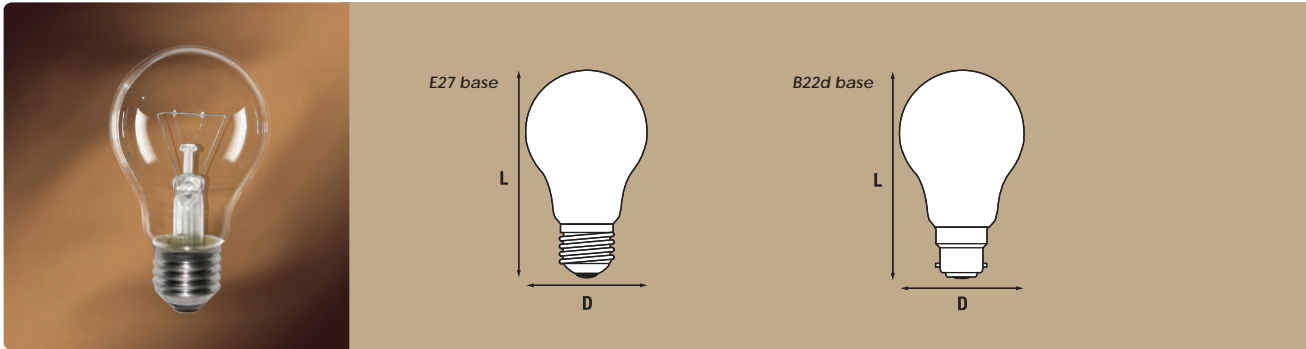




Incandescent Lamps

	GLS A-Bulbs Incandescent Bulbs	52
	Rough Service Bulbs Special Incandescent Bulbs	52
	Inside Coated Bulbs Colour Incandescent Bulbs	53
	Outside Coated Bulbs Colour Incandescent Bulbs	53
	Daylight Colour Bulbs Special Incandescent Bulbs	54
	Crown Silver Bulbs Special Incandescent Bulbs	54
	Party Lite Special Incandescent Bulbs	55
	Bug Lite Special Incandescent Bulbs	55
	Round Lamps Incandescent Bulbs	56
	Candle Lamps Incandescent Bulbs	56
	Reflector Lamps Incandescent Bulbs	57
	Mushroom Lamps Incandescent Bulbs	57
	PAR38 Lamps – Standard, Infra Red and Coloured Incandescent Bulbs	58
	Pygmy Lamps Incandescent Bulbs	58
	Decorative Globe Lamps Incandescent Bulbs	59

GLS A-Bulbs Incandescent Bulbs

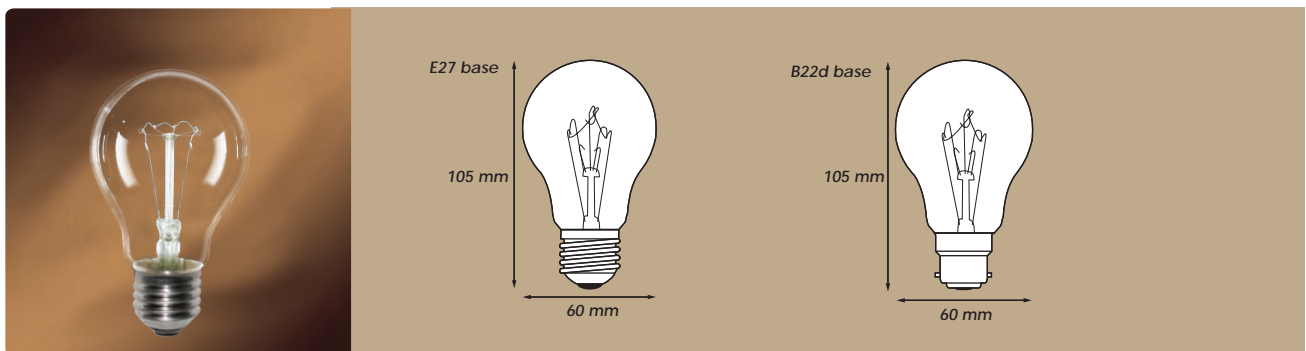


↘ Bulb finish : clear, frosted, softwhite/opal



Lamp Code	Voltage (V)	Wattage (W)	Base	Diameter D (mm)	Length L (mm)	Lumen (lm)	Energy Efficiency Class
GLS 25W	120 – 130 / 230 – 240	25	E26/E27/B22d	55/60	97/105	210	E
GLS 40W	120 – 130 / 230 – 240	40	E26/E27/B22d	55/60	97/105	415	E
GLS 60W	120 – 130 / 230 – 240	60	E26/E27/B22d	55/60	97/105	710	E
GLS 75W	120 – 130 / 230 – 240	75	E26/E27/B22d	55/60	97/105	930	E
GLS 100W	120 – 130 / 230 – 240	100	E26/E27/B22d	55/60	97/105	1340	E
GLS 150W	120 – 130 / 230 – 240	150	E26/E27/B22d	70/80	123/150	2000	E
GLS 200W	120 – 130 / 230 – 240	200	E26/E27/B22d	70/80	123/150	2800	E
GLS 300W	120 – 130 / 230 – 240	300	E39/E40	90	185	4500	E
GLS 500W	120 – 130 / 230 – 240	500	E39/E40	90	185	8000	E

Rough Service Bulbs Special Incandescent Bulbs

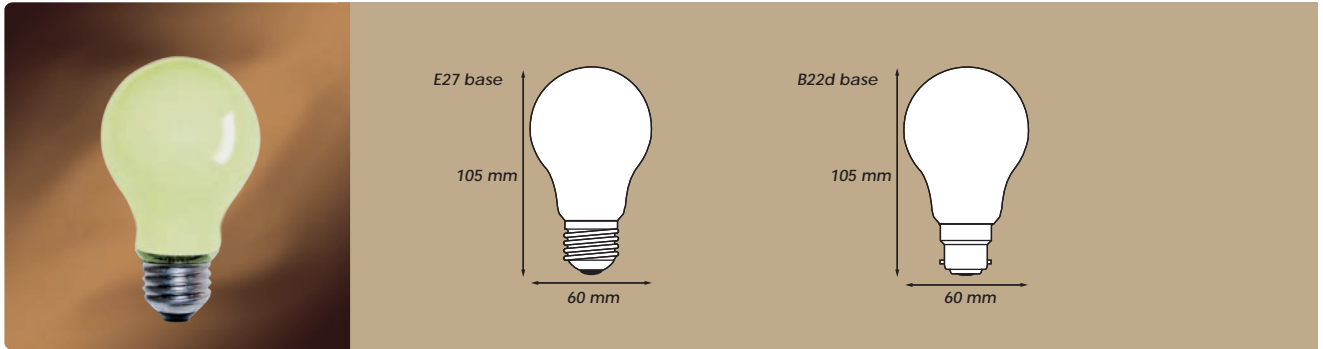


- ↘ Filament rests on seven or nine intermediate supports
- ↘ The reinforced construction filament is resistant to vibration and shock to a high degree
- ↘ Lamp offers excellent operational reliability and reduces maintenance costs considerably
- ↘ Bulb finish : clear, pearl, softwhite



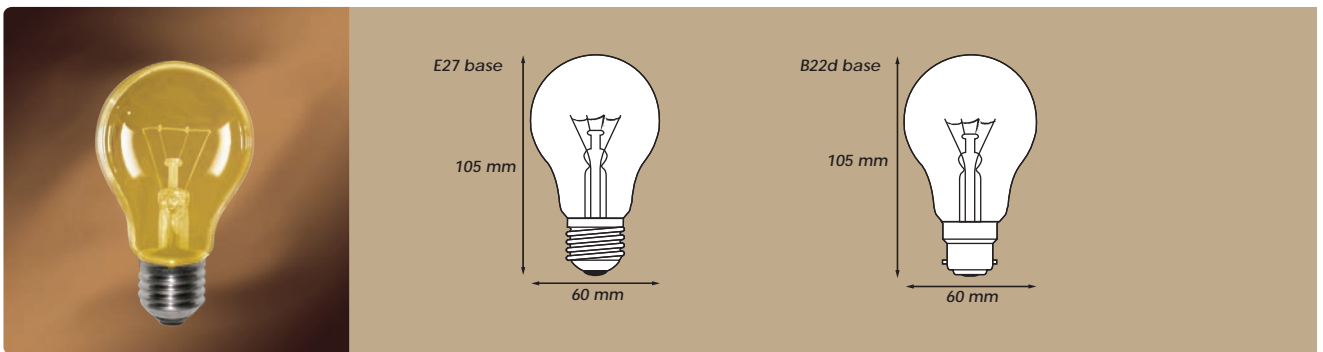
Lamp Code	Voltage (V)	Wattage (W)	Base	Finish Available
RS-A19(USA)	120/130	25,40,60,75,100	E26	Clear, Pearl, Softwhite
RS-A60(Europe)	120/230/240/250	25,40,60,75,100	E27/B22d	Clear, Pearl, Softwhite

Inside Coated Bulbs Colour Incandescent Bulbs



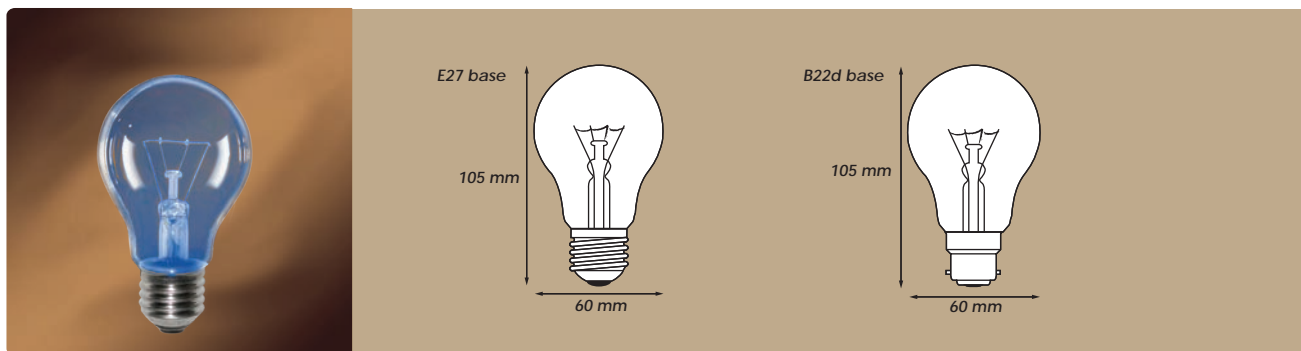
Lamp Code	Voltage (V)	Wattage (W)	Base	Colours Available
A19(USA)	120 - 130	25,40,60,75,100	E26	Red, Yellow, Blue, Green, Pink, Amber, Orange, Pastel Colors
A60(Europe)	220 - 250	25,40,60,75,100	E27/B22d	Red, Yellow, Blue, Green, Pink, Amber, Orange, Pastel Colors

Outside Coated Bulbs Colour Incandescent Bulbs



Lamp Code	Voltage (V)	Wattage (W)	Base	Colours Available
A19(USA)	120 - 130	15, 25, 40, 60	E26	Red, Yellow, Blue, Green
A60(Europe)	220 - 250	15, 25, 40, 60	E27/B22d	Red, Yellow, Blue, Green

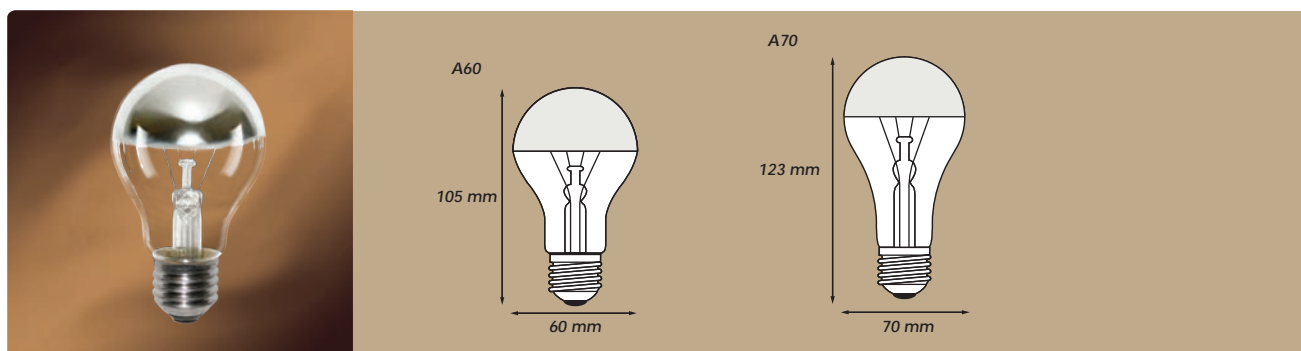
Daylight Colour Bulbs Special Incandescent Bulbs



➤ Bulb made with pigmented blue glass to create cool effect versus normal warm incandescent output

Lamp Code	Voltage (V)	Wattage (W)	Base	Finish Available
Daylight-A19(USA)	120/130	40, 60, 75,100	E26	Daylight colour
Daylight-A60(Europe)	120/230/240/250	40, 60, 75,100	E27/B22d	Daylight colour

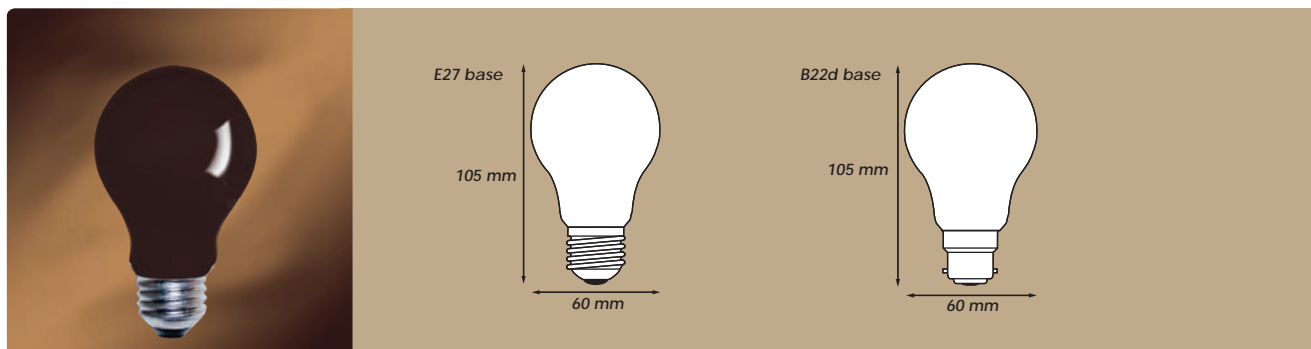
Crown Silver Bulbs Special Incandescent Bulbs



➤ The crown reflector eliminates direct glare and improves luminaire optical control

Lamp Code	Voltage (V)	Wattage (W)	Base	Finish Available
A19(USA)	120 – 130	40, 60	E26	Clear, Pearl
A21(USA)	120 – 130	75, 100	E26	Clear, Pearl
A60(Europe)	220/240/250	40, 60	E27/B22d	Clear, Pearl
A70(Europe)	220/240/250	75, 100	E27/B22d	Clear, Pearl

Party Lite Special Incandescent Bulbs

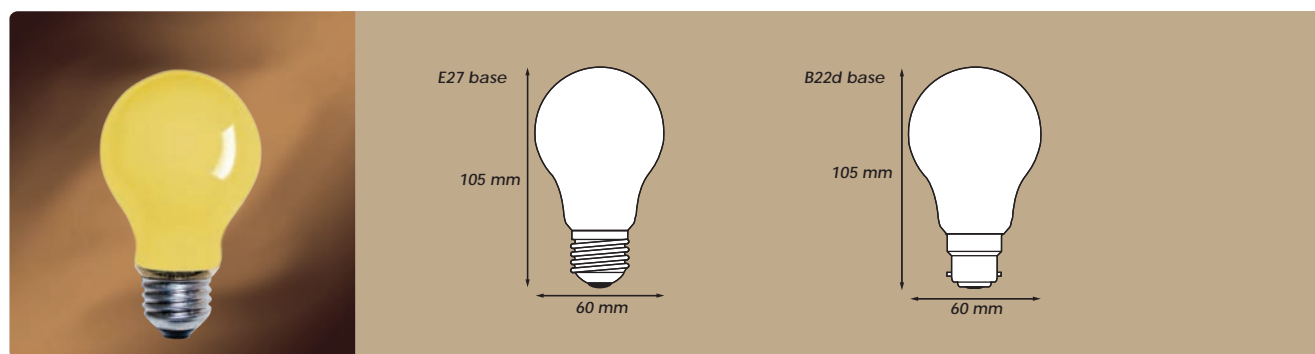


- simulates the black light ambiance of discotheques and nightclubs
- enhances party atmosphere
- no harmful UV light is emitted
- adapts to any standard household electrical socket



Lamp Code	Voltage (V)	Wattage (W)	Base	Colours Available
A19 Party Lite (USA)	120/130	40, 60	E26	Black
A60 Party Lite (Europe)	120/230/240	40, 60	E27/B22d	Black

Bug Lite Special Incandescent Bulbs

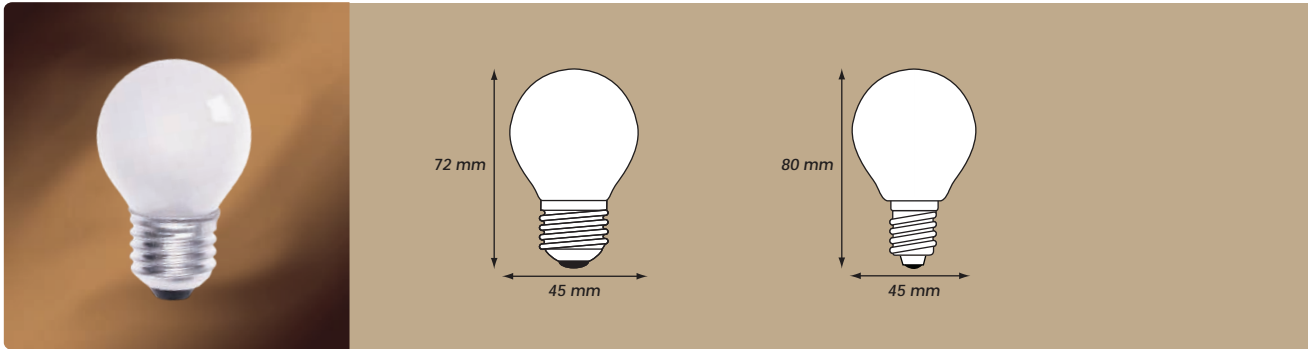


- special inside coating
- repels insects by emitting a golden light
- adapts to any standard household electrical socket



Lamp Code	Voltage (V)	Wattage (W)	Base	Colours Available
A19 Bug Lite (USA)	120/130	25, 40, 60, 75, 100	E26	Yellow
A60 Bug Lite (Europe)	120/230/240	25, 40, 60, 75, 100	E27/B22d	Yellow

Round Lamps Incandescent Bulbs

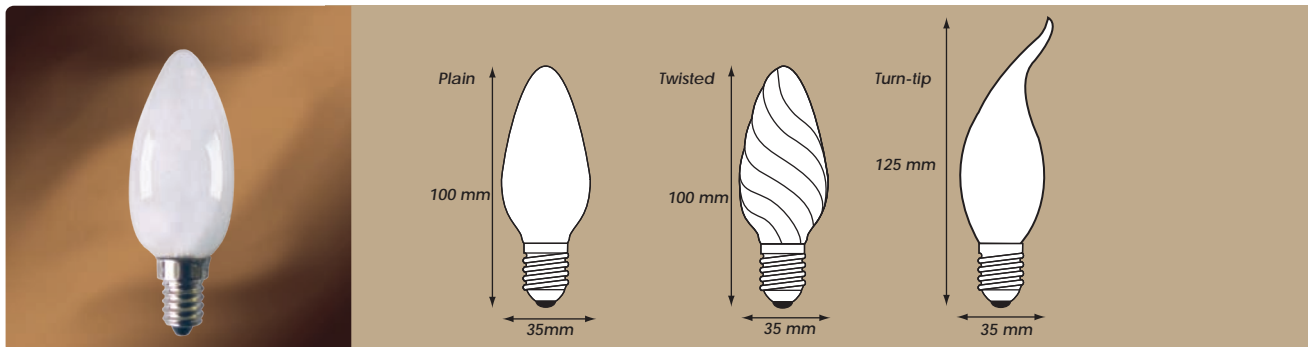


➤ Bulb finish : clear, frosted, opal

Lamp Code	Voltage (V)	Wattage (W)	Base	Lumen (lm)	Energy Efficiency Class
Round 25W	120 – 130 / 230 – 240	25	E14, B15d, E26, E27, B22d	210	E
Round 40W	120 – 130 / 230 – 240	40	E14, B15d, E26, E27, B22d	400	E
Round 60W	120 – 130 / 230 – 240	60	E14, B15d, E26, E27, B22d	660	E
Oven Lamp 300°C Round bulb					
Oven-round 40W	120 – 130 / 230 – 240	40	E14, B15d, E26, E27, B22d	390	*

* Special lamp which is exempt from Ecodesign Requirements

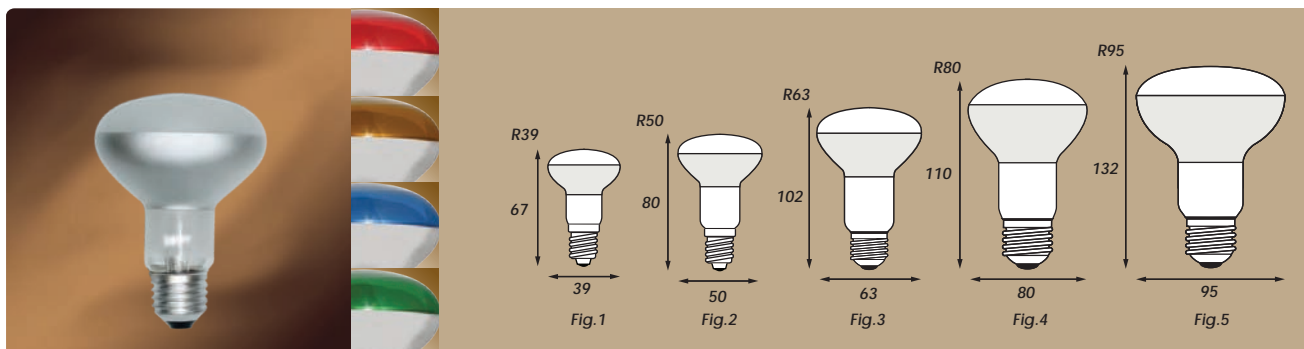
Candle Lamps Incandescent Bulbs



➤ Bulb finish : clear, frosted

Lamp Code	Voltage (V)	Wattage (W)	Base	Lumen (lm)	Energy Efficiency Class
Candle 25W	120 – 130 / 230 – 240	25	E14, B15d, E26, E27, B22d	210	E
Candle 40W	120 – 130 / 230 – 240	40	E14, B15d, E26, E27, B22d	400	E
Candle 60W	120 – 130 / 230 – 240	60	E14, B15d, E26, E27, B22d	660	E

Reflector Lamps Incandescent Bulbs

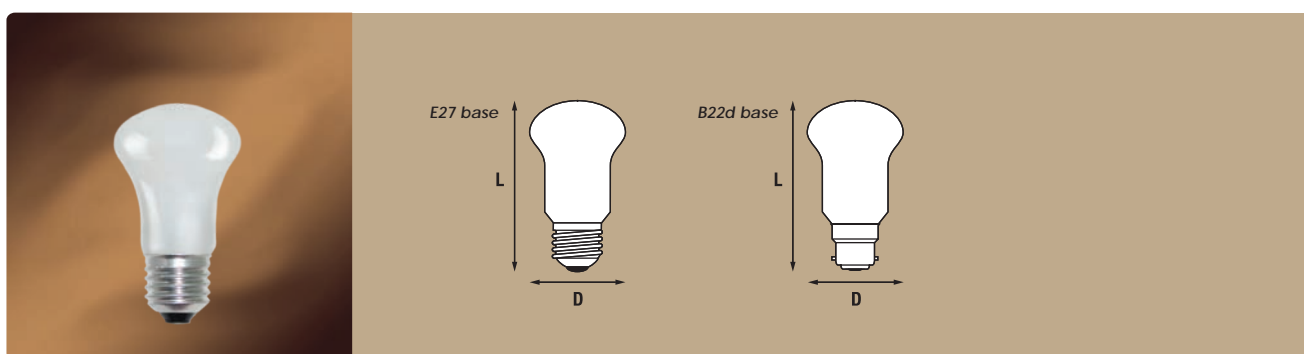


➤ Colour bulbs (Red, Blue, Green and Amber) available for R50, R63, and R80 (below 60W)



Lamp Code	Voltage (V)	Wattage (W)	Beam Angle	Intensity (cd)	Base	Fig.
R39 30W	110 – 130 / 220 – 240	30	40° ± 10%	180	E14	1
R50 25W	110 – 130 / 220 – 240	25	40° ± 10%	210	E14	2
R50 40W	110 – 130 / 220 – 240	40	40° ± 10%	410	E14	2
R63 40W	110 – 130 / 220 – 240	40	40° ± 10%	430	E26, E27	3
R63 60W	110 – 130 / 220 – 240	60	40° ± 10%	765	E26, E27	3
R80 60W	110 – 130 / 220 – 240	60	40° ± 10%	460	E26, E27	4
R80 75W	110 – 130 / 220 – 240	75	40° ± 10%	660	E26, E27	4
R80 100W	110 – 130 / 220 – 240	100	40° ± 10%	900	E26, E27	4
R95 75W	110 – 130 / 220 – 240	75	40° ± 10%	1000	E26, E27	5
R95 100W	110 – 130 / 220 – 240	100	40° ± 10%	1350	E26, E27	5
R95 150W	110 – 130 / 220 – 240	150	40° ± 10%	2250	E26, E27	5

Mushroom Lamps Incandescent Bulbs

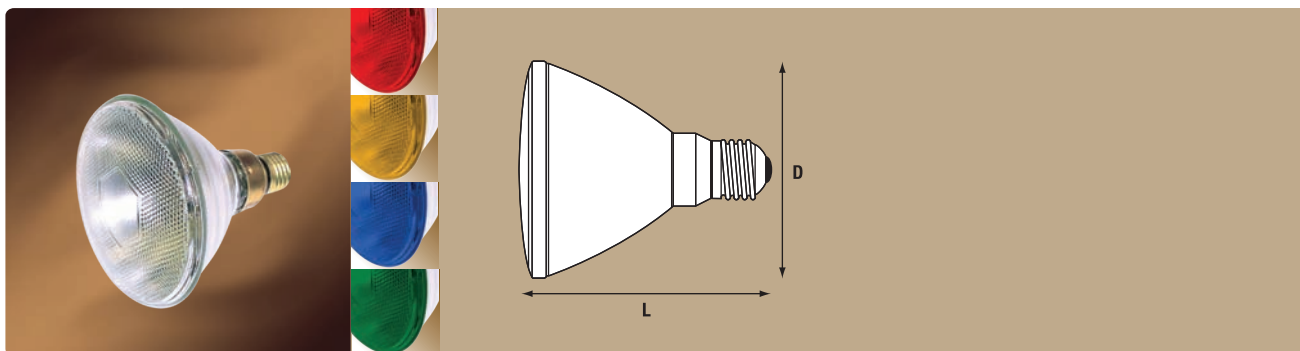


➤ Bulb finish : opal white



Lamp Code	Voltage (V)	Wattage (W)	Lumen (lm)	Base	Diameter D (mm)	Length L (mm)
Mushroom25	120 – 130 / 230 – 240	25	170	E26, E27, B22d	50	88
Mushroom40	120 – 130 / 230 – 240	40	340	E26, E27, B22d	50	88
Mushroom60	120 – 130 / 230 – 240	60	570	E26, E27, B22d	50	88
Mushroom75	120 – 130 / 230 – 240	75	750	E26, E27, B22d	60	96
Mushroom100	120 – 130 / 230 – 240	100	1100	E26, E27, B22d	60	96

PAR38 Incandescent PAR Lamps - Standard, Infra Red and Coloured

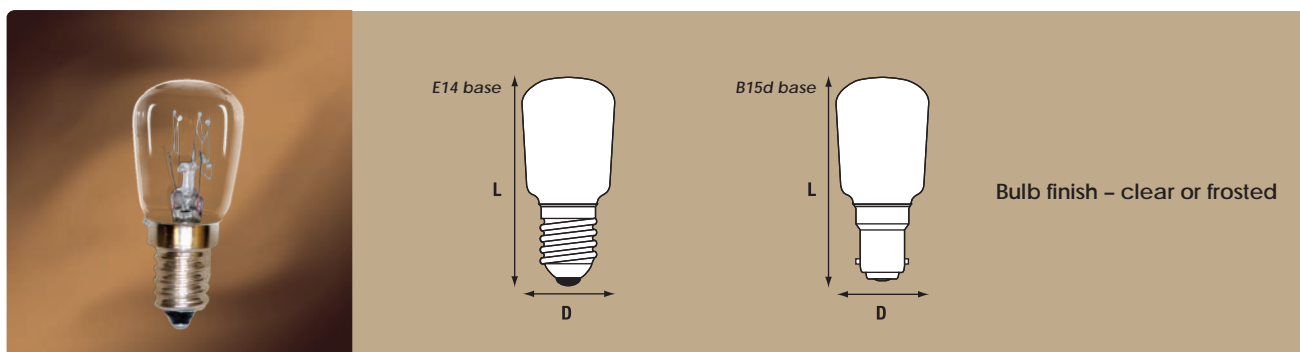


➤ Clear or Red finish available for Infra-red PAR38



Lamp Code	Voltage (V)	Wattage (W)	Beam Angle	Intensity (cd)	Base	Diameter D (mm)	Length L (mm)
PAR38/60W	120 – 130 / 230 – 240	60	Spot	3400	M.S. E26	122	134
PAR38/60W	120 – 130 / 230 – 240	60	Flood	1200	E27	122	136
PAR38/80W	120 – 130 / 230 – 240	80	Spot	5400	M.S. E26	122	134
PAR38/80W	120 – 130 / 230 – 240	80	Flood	1800	E27	122	136
PAR38/120W	120 – 130 / 230 – 240	120	Spot	9300	M.S. E26	122	134
PAR38/120W	120 – 130 / 230 – 240	120	Flood	3100	E27	122	136
PAR38/IR	120 – 130 / 230 – 240	100	Flood	Infra Red	M.S. E26	122	134
PAR38/IR	120 – 130 / 230 – 240	150/175	Flood	Infra Red	E27	122	134
PAR38/Colour	120 – 130 / 230 – 240	60/80	Spot	Red, Amber, Blue, Green	M.S. E26	122	134
PAR38/Colour	120 – 130 / 230 – 240	60/80	Flood	Red, Amber, Blue, Green	E27	122	136

Pygmy Lamps Incandescent Bulbs

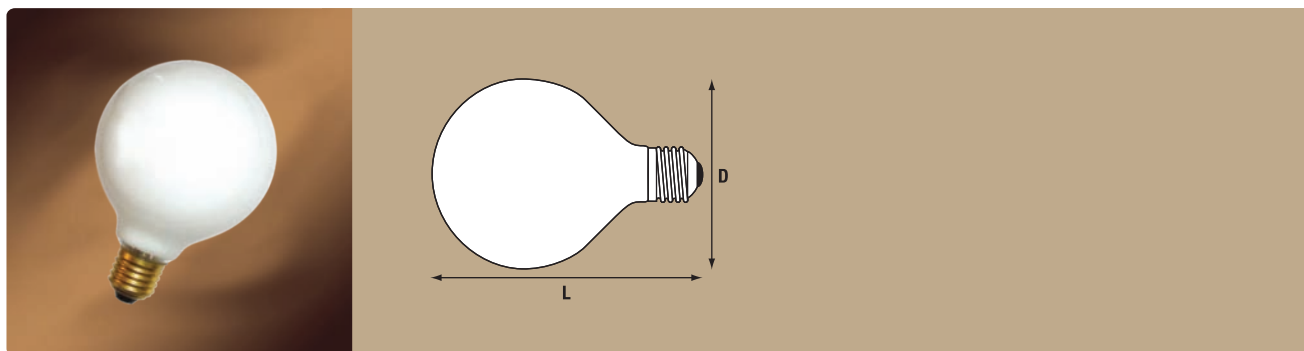


- 10W lamp available on request
- Oven lamps are designed for use at 300° C



Lamp Code	Voltage (V)	Wattage (W)	Lumen (lm)	Base	Diameter D (mm)	Length L (mm)
Pygmy T22-15W	120 – 130 / 230 – 240	15	90	E14, B15d	22	57
Pygmy T22-25W	120 – 130 / 230 – 240	25	180	E14, B15d	22	57
Pygmy ST26-15W	120 – 130 / 230 – 240	15	90	E14, B15d	26	57
Pygmy ST26-25W	120 – 130 / 230 – 240	25	180	E14, B15d	26	57
Oven Lamps 300°C						
Oven T22-15W	120 – 130 / 230 – 240	15	90	E14, B15d	22	49
Oven T22-25W	120 – 130 / 230 – 240	25	180	E14, B15d	22	49

Decorative Globe Lamps Incandescent Bulbs



↘ Bulb finish : clear, softwhite/opal



European System

Lamp Code	Voltage (V)	Wattage (W)	Base	Diameter D (mm)	Length L (mm)	Lumen (lm)	Energy Efficiency Class
G60	230 – 240	25	E14	60	93	200	F
G60	230 – 240	40	E14	60	93	350	F
G80	230 – 240	40	E27	80	119	350	F
G80	230 – 240	60	E27	80	119	600	F
G80	230 – 240	100	E27	80	119	1200	F
G95	230 – 240	40	E27	95	140	350	F
G95	230 – 240	60	E27	95	140	600	F
G95	230 – 240	100	E27	95	140	1200	F
G95	230 – 240	150	E27	95	140	1800	F
G120	230 – 240	40	E27	120	170	350	F
G120	230 – 240	60	E27	120	170	600	F
G120	230 – 240	100	E27	120	170	1200	F
G120	230 – 240	150	E27	120	170	1800	F

North American System

Lamp Code	Voltage (V)	Wattage (W)	Lumen (lm)	Base	Diameter D (inch)	Length L (inch)
G16.5	110 – 130	25	200	E12	2.06	3.00
G16.5	110 – 130	40	350	E12	2.06	3.00
G16.5	110 – 130	60	600	E12	2.06	3.00
G25	110 – 130	25	200	E26	3.13	4.50
G25	110 – 130	40	350	E26	3.13	4.50
G25	110 – 130	60	600	E26	3.13	4.50
G30	110 – 130	40	350	E26	3.75	5.00
G30	110 – 130	60	600	E26	3.75	5.00
G40	110 – 130	40	350	E26	5.00	6.93
G40	110 – 130	60	600	E26	5.00	6.93
G40	110 – 130	75	750	E26	5.00	6.93
G40	110 – 130	100	1200	E26	5.00	6.93
G40	110 – 130	150	1800	E26	5.00	6.93