

LED Roadlight UR131E-134E

60W-300W

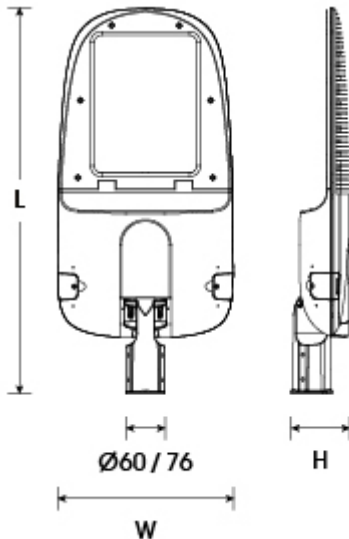
Features

- 60W / 80W / 100W / 120W / 150W / 220W / 250W / 300W LED Roadlight
- Wide beam angles for large open area coverage
- Asymmetric optic design with uniform distribution
- 10kA/20kV surge protection
- Excellent heat dissipation and long life span for low maintenance cost
- Integral driver
- Good color rendition, Ra ≥70



Diagrams

Dimensions:



(Unit : mm)	(L)	(W)	(H)	Weight
UR131E	607 x	236 x	112	4 kg
UR132E	693 x	316 x	112	7 kg
UR133E	797 x	364 x	121	9.4 kg
UR134E	912 x	380 x	127	11.4 kg

Prosperity Lamps & Components Ltd.

Tel: (852) 2511 0022 Fax: (852) 2511 0082 Web: www.prosperitylamps.com Email: info@prosperitylamps.com

Optional Receptacle And Photocell:



Standards



IP66

IK09

Applications



Road Light

Technical Data	
Type of Light Source	
Lighting Technology Used	LED
Non-directional or Directional [NDLS/DLS]	DLS
Mains or Non-mains [MLS/NMLS]	MLS
Connected Light Source	No
Color tunable light source	No
Envelop [No/Second/Non-Clear]	No
High Luminance Light Source	No
Anti-glare Shield	No
Electrical	
Rated Wattage [W]	60W / 80W / 100W / 120W / 150W / 220W / 250W / 300W
On-mode Power [W]	60W / 80W / 100W / 120W / 150W / 220W / 250W / 300W
Standby Power [W]	N/A
Networked Standby Power [W]	N/A
Rated Voltage [V/Hz]	100-277V, 50/60Hz
Power Factor	0.95
Input Current [mA] @230V	275 / 366 / 458 / 549 / 686 / 1007 / 1144 / 1373
Model	
UR131E-60W/7XX	60W

Prosperity Lamps & Components Ltd.

Tel: (852) 2511 0022 Fax: (852) 2511 0082 Web: www.prosperitylamps.com Email: info@prosperitylamps.com

UR132E-80W/7XX	80W
UR132E-100W/7XX	100W
UR132E-120W/7XX	120W
UR133E-150W/7XX	150W
UR133E-220W/7XX	220W
UR134E-250W/7XX	250W
UR134E-300W/7XX	300W
Luminous Flux (Useful Luminous Flux) [lm]	
60W	7800lm (7410lm) @3000K
	7980lm (7580lm) @4000K
	8100lm (7695lm) @6500K
80W	10400lm (9880lm) @3000K
	10640lm (10110lm) @4000K
	10800lm (10260lm) @6500K
100W	13000lm (12350lm) @3000K
	13300lm (12635lm) @4000K
	13500lm (12825lm) @6500K
120W	15600lm (14820lm) @3000K
	15960lm (15160lm) @4000K
	16200lm (15390lm) @6500K
150W	19500lm (18525lm) @3000K
	19950lm (18950lm) @4000K
	20250lm (19240lm) @6500K
220W	28600lm (27170lm) @3000K
	29260lm (27800lm) @4000K
	29700lm (28215lm) @6500K
250W	32500lm (30875lm) @3000K
	33250lm (31590lm) @4000K
	33750lm (32060lm) @6500K
300W	39000lm (37050lm) @3000K
	39900lm (37905lm) @4000K
	40500lm (38475lm) @6500K
Performance	
SCDM	<6
Chromaticity coordinates [x, y]	0.44, 0.403@3000K / 0.38, 0.38@4000K / 0.312, 0.335@6500K
Efficacy [lm/W]	124-128
Color Rendering Index [Ra]	≥70
R9 colour rendering index value	2
Optics	Type II / III
Rated Life, Ta@25°C [hrs]	50,000
Lamp Survival Factor	0.9
Lumen Maintenance	0.96
Number of Switching Cycles Before Failure	25,000
Starting Time [S]	<0.5

Prosperity Lamps & Components Ltd.

Tel: (852) 2511 0022 Fax: (852) 2511 0082 Web: www.prosperitylamps.com Email: info@prosperitylamps.com

Warm Up Time [S]	<2
Premature Failure At 1000hrs	<5%
Displacement Factor [cosØ]	0.9
Flicker Metric [Pst LM]	1
Stroboscopic Effect Metric [SVM]	0.4
Mechanical	
Length L [mm]	607 / 693 / 797 / 912
Width W [mm]	236 / 316 / 364 / 380
Height H [mm]	112 / 112 / 121 / 127
Weight [kg]	4 / 7 / 9.4 / 11.4
Material	Body: Die-cast aluminium
	Lens: PC
	Diffuser: Tempered glass
Standard Compliance	
CE-LVD	EN60598-1, EN60598-2-2
CE-EMC	EN55015, EN61547, EN61000-3-2, EN61000-3-3
Environment	RoHS
Mercury Content [mg]	0.0
Energy Class	D
Electrical Class	I
Other	
Dimmable [Yes/Only with specific dimmers/No]	Yes
Operation Temperature	-10°C ~ 40°C
Storage Temperature	-20°C ~ 60°C
Energy Consumption in on-mode [kWh/1000h]	60kWh / 80kWh / 100kWh / 120kWh / 150kWh / 220kWh / 250kWh / 300kWh