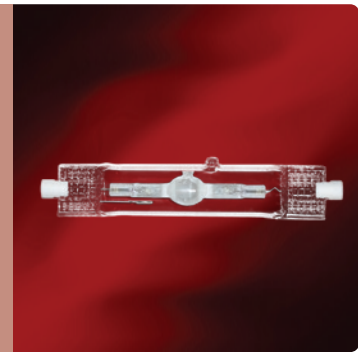
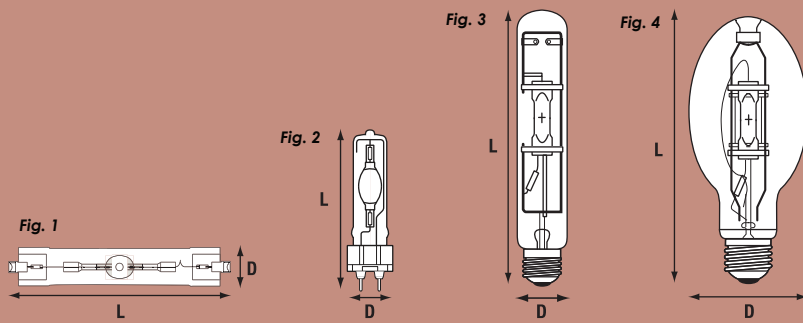


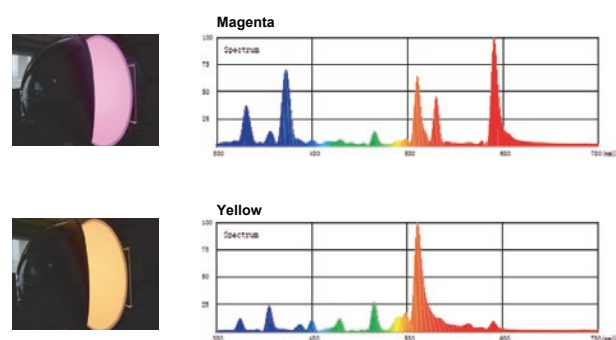
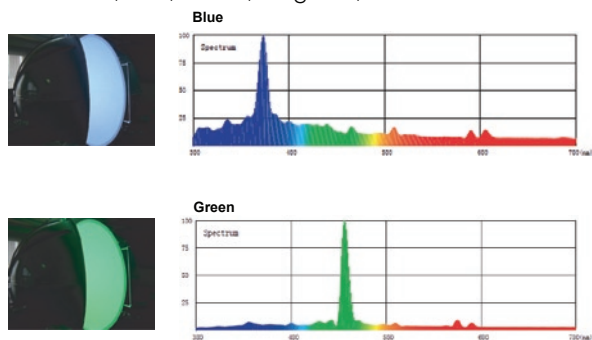
# Special Colour Metal Halide Lamps

Creation of vivid and rich colours without the need of filters for applications with style and appeal



## Colour High Intensity Discharge Lamps

- Create colour effect without the need of filters
- White, Blue, Green, Magenta, Yellow



## Aquarium Metal Halide 10,000K & 14,000K :

- Neutral daylight 10,000K and 14,000K for daylight simulation
- Aquariums: simulate ocean condition for coral growth
- Also available with **20,000K** for deep water penetration

Lamp Code	Wattage (W)	Colours available	Base	Fig.
<b>For special decor flood lighting</b>				
MH-DE 70W	70	Blue, Green, Magenta, Yellow	RX7s	1
MH-DE 150W	150	Blue, Green, Magenta, Yellow	RX7s	1
MH-E 70W	70	Blue, Green, Magenta, Yellow	E27	3
MH-E 100W	100	Blue, Green, Magenta, Yellow	E27	3
MH-E 150W	150	Blue, Green, Magenta, Yellow	E27	3
MH-E 175W	175	Blue, Green, Magenta, Yellow	E27	3
MH-E 250W	250	Blue, Green, Magenta, Yellow	E40	3
MH-E 400W	400	Blue, Green, Magenta, Yellow	E40	3
MH-T 250W	250	Blue, Green, Magenta, Yellow	E40	4
MH-T 400W	400	Blue, Green, Magenta, Yellow	E40	4
MH 70W G12	70	Blue, Green, Magenta, Yellow	G12	2
MH 150W G12	150	Blue, Green, Magenta, Yellow	G12	2
<b>For aquarium lighting</b>				
MH-DE 70W	70	10000K, 14000K, 20000K	RX7s	1
MH-DE 150W	150	10000K, 14000K, 20000K	RX7s	1
MH-T 250W	250	10000K, 14000K, 20000K	E40	4