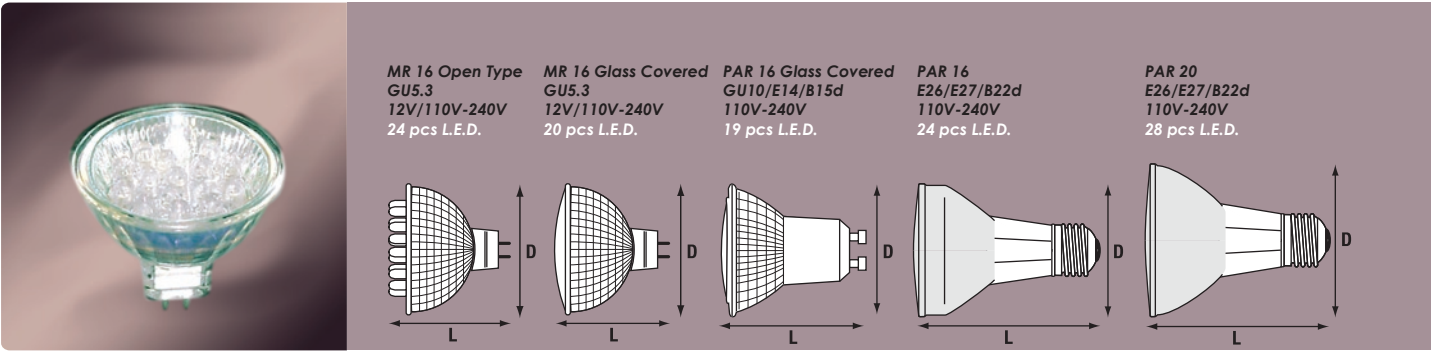


L.E.D. Solid State Lighting in Lamp Bulb Formation



MR 16 Open Type GU5.3 12V/110V-240V 24 pcs L.E.D.	MR 16 Glass Covered GU5.3 12V/110V-240V 20 pcs L.E.D.	PAR 16 Glass Covered GU10/E14/B15d 110V-240V 19 pcs L.E.D.	PAR 16 E26/E27/B22d 110V-240V 24 pcs L.E.D.	PAR 20 E26/E27/B22d 110V-240V 28 pcs L.E.D.
---	---	--	---	---



- Built in driver direct plug in to retrofit existing lamp bulb
- Integral Fuse CE Safety
- 1 year replacement warranty
- Average Life 50000 hours

Other options :

- **Colour:** Red, Amber, Green, Blue and White
- **Voltage:** 12V/24V*, 110V-240V (AC/DC)
- **Lamp Base:** GU10, E26, E27, GU5.3, E14, B22, B15d
- **Bulb Type:** MR16, PAR16, PAR20, PAR38 or custom made formation

(*Note: For 12V MR16 L.E.D. low voltage transformer required because of low voltage lamp current)



Dramatic Colour Effect

Colour	Wattage (W)	Beam Angle	Intensity (cd)
19 pcs Module			
White	1.3	15	132
Blue	1.3	15	28
Green	1.3	15	286
Amber	1	15	61
Red	1	15	44
24 pcs Module			
White	1.4	15	146
Blue	1.4	15	38
Green	1.4	15	450
Amber	1.1	15	97
Red	1.1	15	50