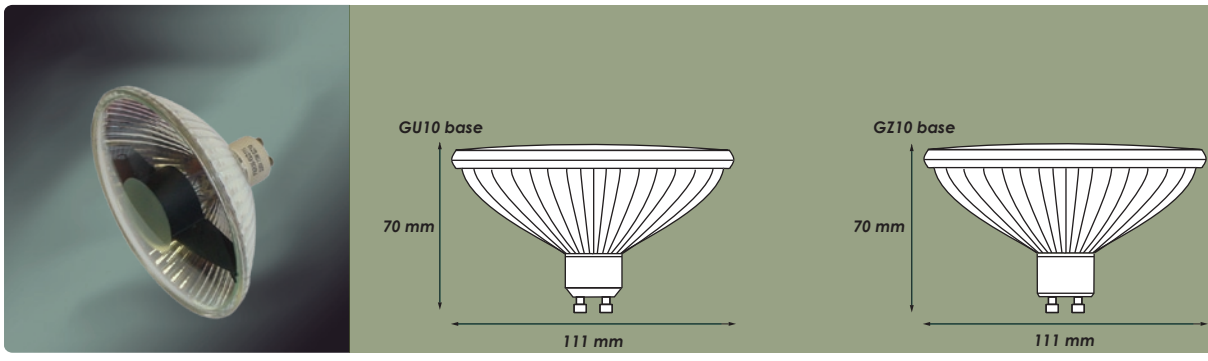
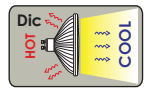
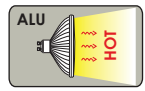


# PAR36/ES111 Halogen PAR Lamps

With GU10/GZ10 Base (for direct mains voltage)



- No transformer is required - versus 12V AR111 lamps without the need of bulky transformers and tedious wiring
- Shorter lamp length allows better flexibility in the design of display lighting fixtures versus long-neck PAR30 and PAR38 lamps
- High comfort with anti-glare shield, reduce direct visual exposure
- Average life 3000 hours
- Colour temperature 2900K for Aluminium version and 3000K for dichroic version
- Conforms to EN60432-2/EN60357 requirements with double protection fuse
- Self-shielded feature allows free burning in open fixtures – conforms to EN60598 safety requirements
- Front hard glass lens cuts UV radiation



Lamp Code	Voltage (V)	Wattage (W)	Beam Angle	Intensity (cd)	Coating Type	Base
PAR36-ESD111-50W	120 – 130 / 230 – 240	50	24°	1900	dichroic	GZ10
PAR36-ESA111-50W	120 – 130 / 230 – 240	50	24°	2000	aluminium	GU10
PAR36-ESD111-75W	120 – 130 / 230 – 240	75	24°	2850	dichroic	GZ10
PAR36-ESA111-75W	120 – 130 / 230 – 240	75	24°	3000	aluminium	GU10
PAR36-ESD111-100W	120 – 130 / 230 – 240	100	24°	5000	dichroic	GZ10