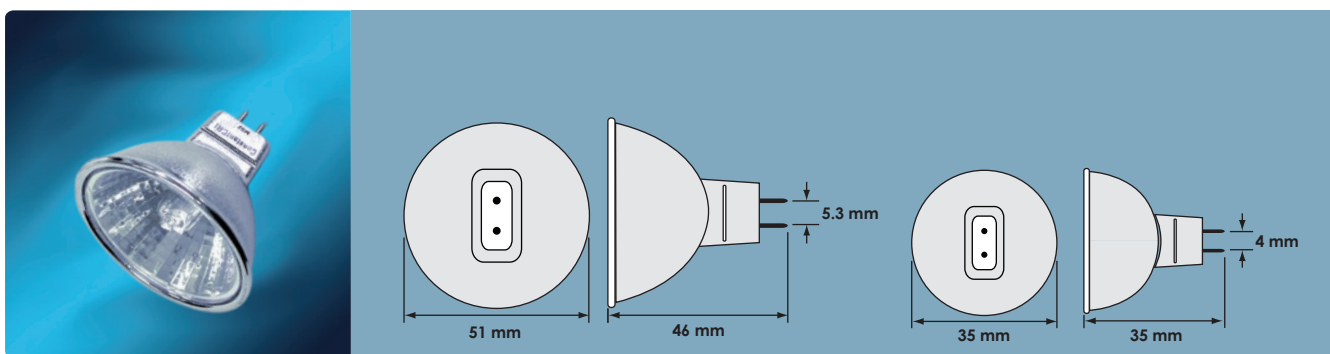


Constant CRI 6,000 hours MR11/16 lighting solution



- Long service life 6000 hours
- Special durable coating inside and outside
- Cool beam Effect
- 30% brighter than standard lamps
- Constant colour and CRI throughout lamp life
- Energy / installation cost saving
- No back spill of light pollution
- Aesthetic glare free backside cosmetics

ANSI/UK Code	Voltage (V)	Wattage (W)	Beam Angle	Intensity (cd)	Base
Constant CRI - MR11					
FTB	12	20	10°	5000	GU4
FTC	12	20	20°	2200	GU4
FTD	12	20	30°	850	GU4
FTE	12	35	10°	8500	GU4
FTF	12	35	20°	3600	GU4
FTH	12	35	30°	1800	GU4
Constant CRI - MR16					
ESX	12	20	12°	5000	GU5.3
BBF	12	20	24°	2000	GU5.3
BAB	12	20	36°	900	GU5.3
FMT	12	35	12°	9000	GU5.3
FRA	12	35	23°	4400	GU5.3
FMW	12	35	36°	1600	GU5.3
EXT	12	50	13°	13000	GU5.3
EXZ	12	50	24°	5600	GU5.3
EXN	12	50	38°	2200	GU5.3
FNV	12	50	60°	1300	GU5.3
EYF	12	75	14°	19000	GU5.3
EYC	12	75	38°	3800	GU5.3